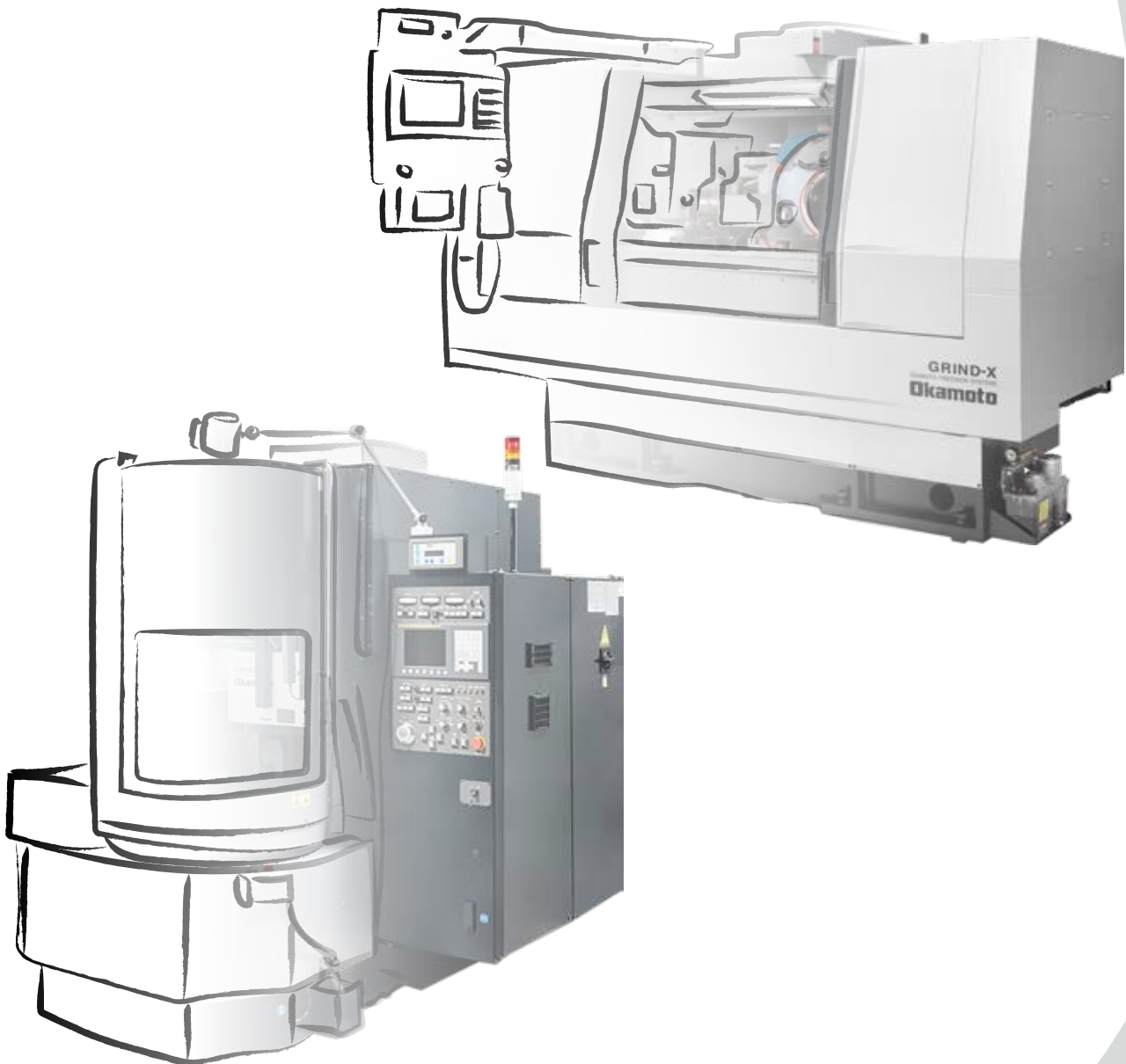


GRIND - X  
OKAMOTO PRECISION SYSTEMS  
**Okamoto**

GRINDING SOLUTIONS



**PERFECTION**  
IN FORM & TECHNOLOGY

# WORLD OF OKAMOTO



## The Company

### World leading.

Our grinding machines guarantee safety through the highest precision.

Since 1926, Okamoto Machine Tool Works Ltd. Japan is considered the world leading manufacturer of high-quality grinding machines and their accompanying equipment. Okamoto Machine Tool Europa GmbH, with its head office in Langen near Frankfurt am Main, has been serving as headquarters for the European market since 1992. As a result of the steady growth of the company, a network of subsidiary companies and business organisations has emerged in over 70 countries. Major production sites are located in Japan, Singapore and Thailand.

The intensive cooperation between Okamoto Machine Tool Works Ltd. Japan and Okamoto machine Tool Europe GmbH in Langen ensures the development and production of innovative grinding machines with the highest precision. In our work, we strive to respond positively to the developments in the market and use investments for future growth for the overall success of our company.

**Okamoto**  
**Machine Tool Europe GmbH**  
Frankfurt (Germany)



# WORLD OF OKAMOTO



## Proximity to customers

Always in line with customers' needs – that makes all the difference.

Efficient advice and after-sales-service.

Okamoto Machine Tool Works Ltd. Japan and Okamoto Machine Tool Europe GmbH, is a customer-oriented, internationally operating company – a modern service provider with high service quality. Our full service strategy focuses on the customer and their needs. Our aim is to provide our customers with top quality innovative products that offer the highest precision, a high degree of reliability, and easy operation. In our modern demonstration and application centre at Okamoto Machine Tool Europe GmbH in Langen, Germany, we are ready to demonstrate a wide selection of the products in our delivery programme.

We put great emphasis on a long-term, reliable, successful, trusting and fair cooperation with our customers and partners.

What you can expect from us in detail:

- User-specific advice from professionals
- Improving the profitability of your production
- Efficient solutions that lead to competitive advantages



# WORLD OF OKAMOTO



## Internationality

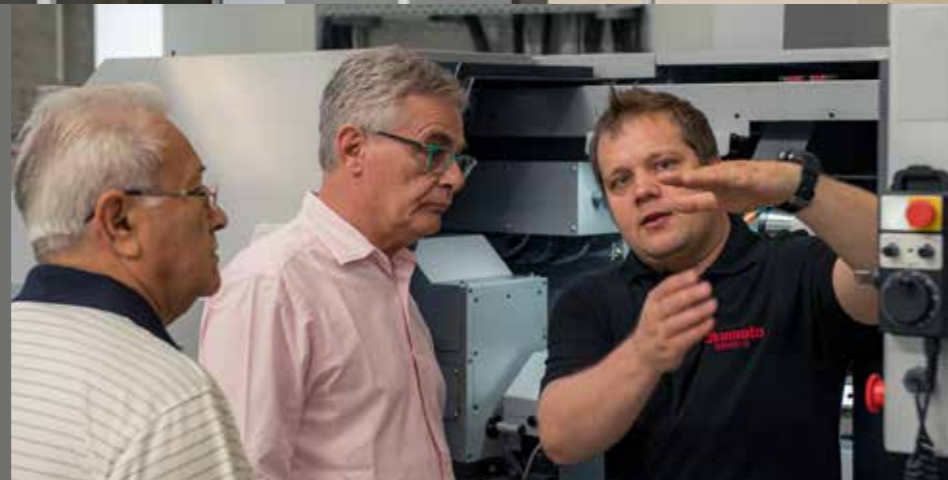
Worldwide security and competence.

Our grinding machines set international standards.

Based in the centre of Europe, Okamoto Machine Tool Europe GmbH employs staff from several different European countries as well as Germany and Japan. Together with our partners and dealers in each European country, we are able to understand the cultural and application-specific characteristics of all of our customer's needs. Because you know that we speak your language, and because you know that we understand your local market, you can be sure that you will save time and money when buying an Okamoto machine. Okamoto Europe and our partners provide a noticeable competitive advantage. With us you can feel "at home".

### What you can expect from us in detail:

- A single contact partner
- Excellent knowledge of the foreign market
- Cultural experience



# WORLD OF OKAMOTO



## Quality

### Long Life through Top Quality.

Guarantees for the safety of your production.

#### 1. Uncompromising competence

Any company that makes so many machines per year and which offers such a wide range of grinding machines, must be able to master each production step precisely. Okamoto has 4 different factories in and around Japan, and these factories share production seamlessly. All castings are made by Okamoto Thailand. Medium sized machined parts are made by Okamoto Singapore. Our largest and most sophisticated machines are made by Okamoto Japan. All Okamoto factories share the assembly of different machine ranges. The quality of Okamoto machines is overseen from casting to the end product. All Okamoto facilities follow the guidelines of DIN EN ISO 9001:2008. The perfect interaction between motivated and competent employees is not only what makes our company stand out, but also an existential component of our company philosophy.

#### 2. Certification and additional checks

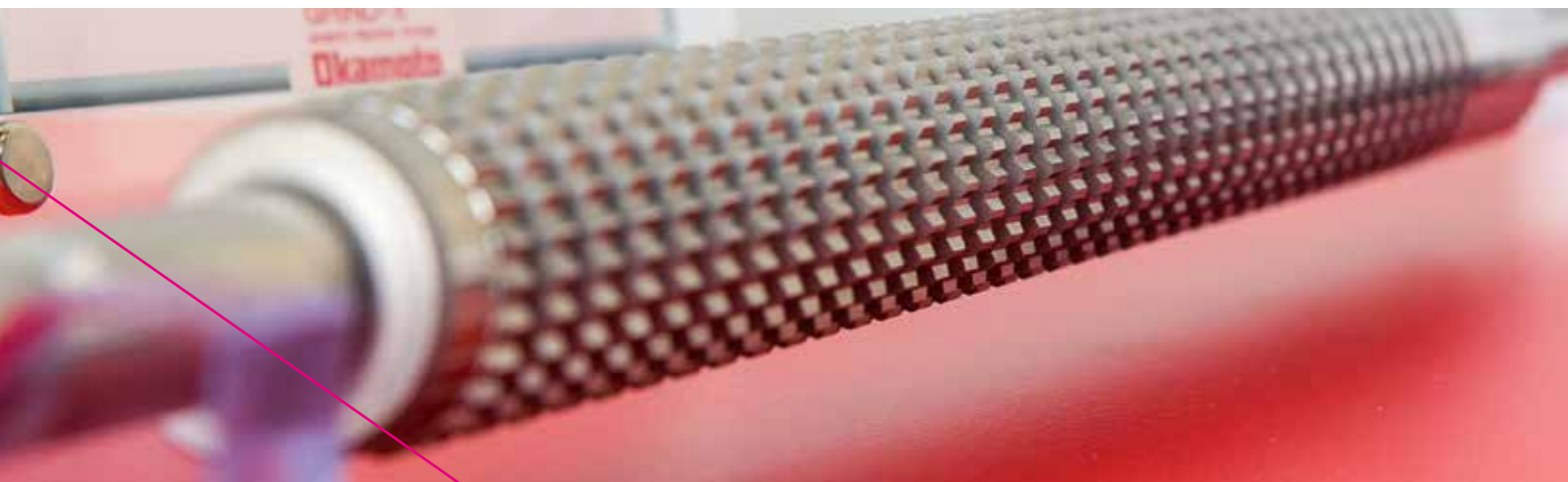
The quality management is certified according to DIN EN ISO 9001:TS 16949 and meets all international standards. Moreover, we carry out additional extensive checks in order to guarantee to our customers the utmost quality. Likewise, tool test certificates according to DIN 50049 are naturally provided by our company.

#### 3. Documentation

We continuously document our quality control, not only in order to secure quality, but also to further optimise it. Because the same goes for us: anyone who stops getting better, has stopped being good.

#### What you can expect from us in detail:

- Constant overwatch by TÜV
- DIN EN ISO 9001:TS 16949
- DIN 50049
- Product manufacturing documentation



# Surface & Profile Grinding Machines



## LINEAR 350 B

### Manual precision surface grinding machine

With a grinding length of 350 mm and a cross travel of 150 mm the Linear 350B is ideally suited for the tool-room. It features a high level of standard equipment to ensure easy handling and the manual control allows quick and precise small part production.

- Machine base made of cast iron
- Vibration-reducing construction
- Table slideway with linear rollers



### ADDITIONAL EQUIPMENT

- Electro-magnetic chuck
- Balancing unit with arbour
- Wheel flange

## LINEAR 350 B

<b>Work area</b>	Max. table stroke	390 mm
	Max. cross table movement	210 mm
	Max. height capacity New wheel → Table	362,5 mm
	Magnetic chuck size	350 x 150 mm
	Max. table load (including chuck)	120 kg
<b>Table</b>	T-slots (number x width)	1 x 17 mm
<b>Cross movement</b>	Feed per rotation on hand wheel	3 mm
	Division of hand wheel	0.02 mm
<b>Vertical movement</b>	Crossfeed per division hand wheel	0.005 mm
<b>Grinding wheel spindle</b>	Dimensions (D x B x d) mm	Ø 205 x 25 x Ø 31.75 mm
	Speed	3000 <sup>-1</sup>
<b>Motors</b>	Grinding wheel spindle	1.5 kW
<b>Power supply</b>	Connection values incl. electro-magnetic chuck and coolant system	3 KVA
<b>Installation plan</b>	(L x W x H)	1526 x 1405 x 1727 mm
	Net weight	840 kg

# Our locations

- Locations
- ▲ Servicepoints
- Dealer
- Dealer DE

- 1 FHL-Werkzeugmaschinenvertrieb Apolda
- 2 M.Peters Werkzeugmaschinen Waldshut-Tiengen
- 3 J+K Jugard + Künstner München
- 4 Prematech e.K. Obermichelbach
- 5 Bernd Goll Industrievertretungen Knittlingen
- 6 PeHa Werkzeugmaschinen Weissenhorn
- 7 Hermann Wirth Industrietechnik Karben
- 8 Sudler Werkzeugmaschinen Langgöns
- 9 Niemeyer Werkzeugmaschinen Berlin



**Okamoto**  
GRIND - X



Okamoto Machine Tool Europe GmbH  
Raiffeisenstraße 7b · 63225 Langen · Germany  
Tel. +49 (0) 6103 - 201 100 · Fax +49 (0) 6103 - 201 1020  
[www.okamoto-europe.de](http://www.okamoto-europe.de) · [info@okamoto-europe.de](mailto:info@okamoto-europe.de)

All data contained herein is based on the technical status of the machines at the time of printing. We reserve the right to change any detail via further development. As a result, dimensions, weights, colours, etc. of the delivered machines may vary.  
Printed in April 2018