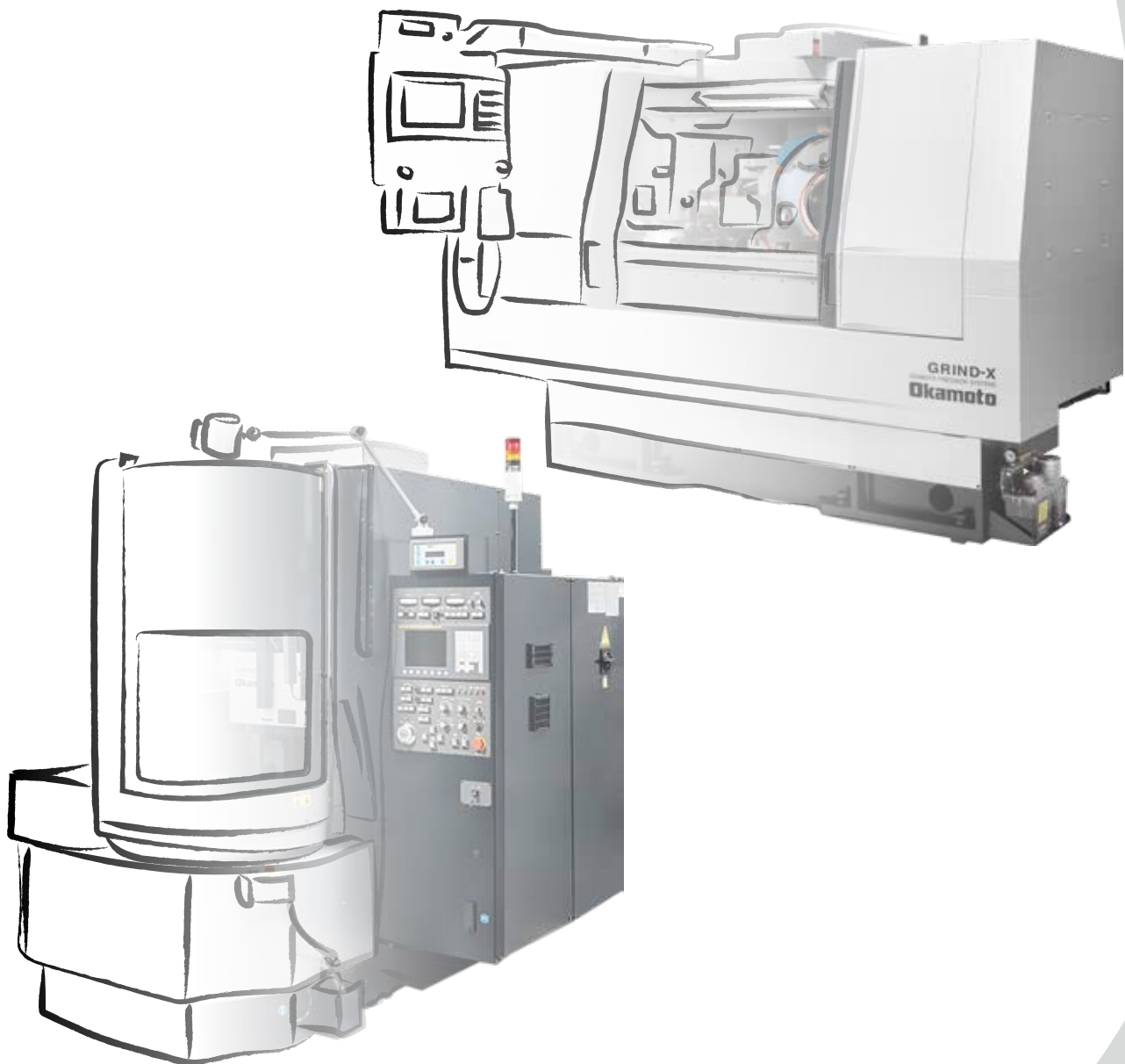


GRIND - X
OKAMOTO PRECISION SYSTEMS
Okamoto

GRINDING SOLUTIONS



PERFECTION
IN FORM & TECHNOLOGY

WORLD OF OKAMOTO



The Company

World leading.

Our grinding machines guarantee safety through the highest precision.

Since 1926, Okamoto Machine Tool Works Ltd. Japan is considered the world leading manufacturer of high-quality grinding machines and their accompanying equipment. Okamoto Machine Tool Europa GmbH, with its head office in Langen near Frankfurt am Main, has been serving as headquarters for the European market since 1992. As a result of the steady growth of the company, a network of subsidiary companies and business organisations has emerged in over 70 countries. Major production sites are located in Japan, Singapore and Thailand.

The intensive cooperation between Okamoto Machine Tool Works Ltd. Japan and Okamoto machine Tool Europe GmbH in Langen ensures the development and production of innovative grinding machines with the highest precision. In our work, we strive to respond positively to the developments in the market and use investments for future growth for the overall success of our company.

Okamoto
Machine Tool Europe GmbH
Frankfurt (Germany)



WORLD OF OKAMOTO



Proximity to customers

Always in line with customers' needs – that makes all the difference.

Efficient advice and after-sales-service.

Okamoto Machine Tool Works Ltd. Japan and Okamoto Machine Tool Europe GmbH, is a customer-oriented, internationally operating company – a modern service provider with high service quality. Our full service strategy focuses on the customer and their needs. Our aim is to provide our customers with top quality innovative products that offer the highest precision, a high degree of reliability, and easy operation. In our modern demonstration and application centre at Okamoto Machine Tool Europe GmbH in Langen, Germany, we are ready to demonstrate a wide selection of the products in our delivery programme.

We put great emphasis on a long-term, reliable, successful, trusting and fair cooperation with our customers and partners.

What you can expect from us in detail:

- User-specific advice from professionals
- Improving the profitability of your production
- Efficient solutions that lead to competitive advantages



WORLD OF OKAMOTO



Internationality

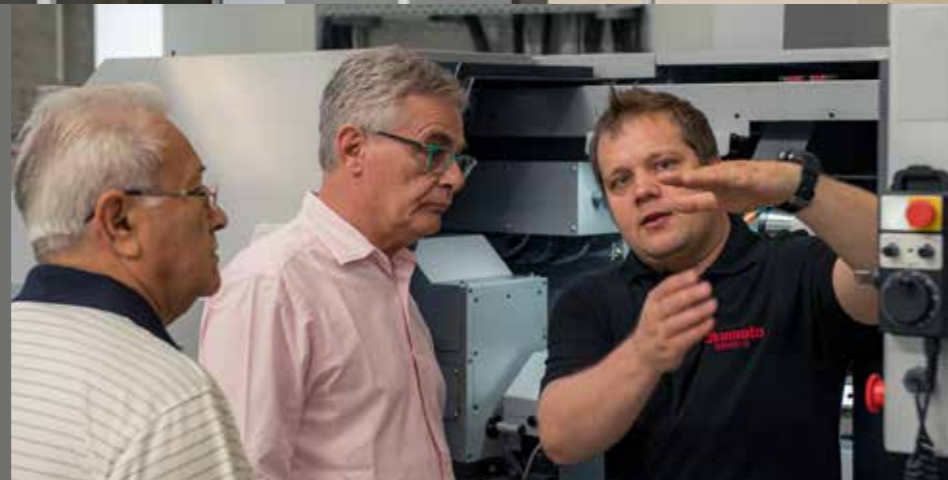
Worldwide security and competence.

Our grinding machines set international standards.

Based in the centre of Europe, Okamoto Machine Tool Europe GmbH employs staff from several different European countries as well as Germany and Japan. Together with our partners and dealers in each European country, we are able to understand the cultural and application-specific characteristics of all of our customer's needs. Because you know that we speak your language, and because you know that we understand your local market, you can be sure that you will save time and money when buying an Okamoto machine. Okamoto Europe and our partners provide a noticeable competitive advantage. With us you can feel "at home".

What you can expect from us in detail:

- A single contact partner
- Excellent knowledge of the foreign market
- Cultural experience



WORLD OF OKAMOTO

Quality

Long Life through Top Quality.

Guarantees for the safety of your production.

1. Uncompromising competence

Any company that makes so many machines per year and which offers such a wide range of grinding machines, must be able to master each production step precisely. Okamoto has 4 different factories in and around Japan, and these factories share production seamlessly. All castings are made by Okamoto Thailand. Medium sized machined parts are made by Okamoto Singapore. Our largest and most sophisticated machines are made by Okamoto Japan. All Okamoto factories share the assembly of different machine ranges. The quality of Okamoto machines is overseen from casting to the end product. All Okamoto facilities follow the guidelines of DIN EN ISO 9001:2008. The perfect interaction between motivated and competent employees is not only what makes our company stand out, but also an existential component of our company philosophy.

2. Certification and additional checks

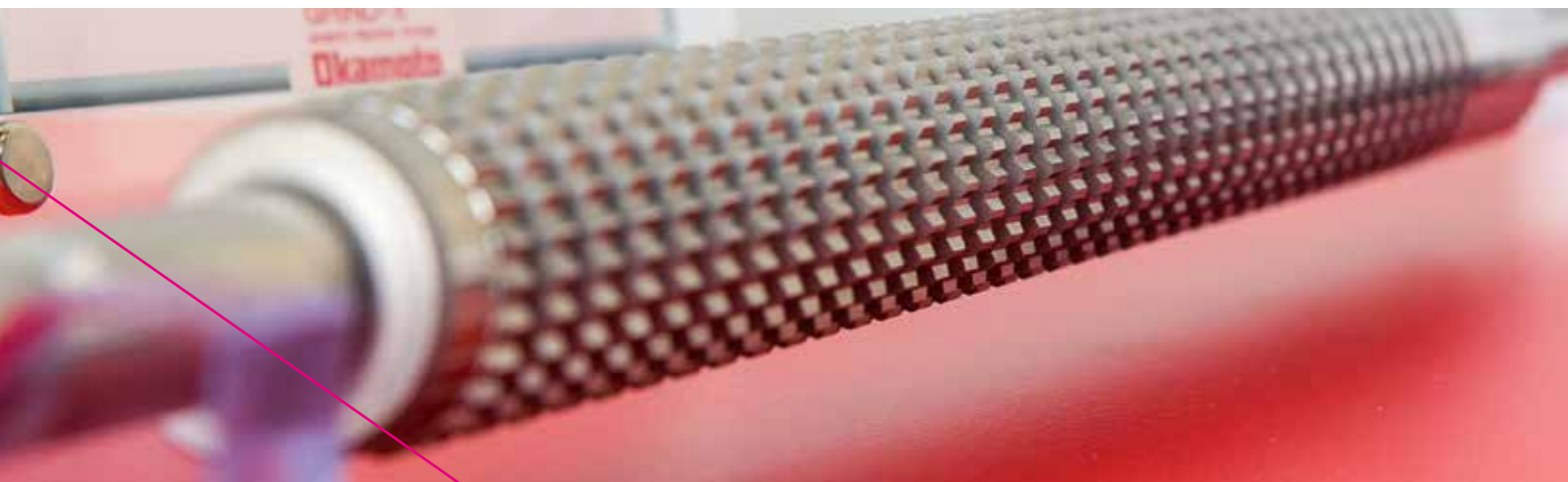
The quality management is certified according to DIN EN ISO 9001:TS 16949 and meets all international standards. Moreover, we carry out additional extensive checks in order to guarantee to our customers the utmost quality. Likewise, tool test certificates according to DIN 50049 are naturally provided by our company.

3. Documentation

We continuously document our quality control, not only in order to secure quality, but also to further optimise it. Because the same goes for us: anyone who stops getting better, has stopped being good.

What you can expect from us in detail:

- Constant overwatch by TÜV
- DIN EN ISO 9001:TS 16949
- DIN 50049
- Product manufacturing documentation



Surface & Profile Grinding Machines



ACC CA2/ CA3

Precision surface grinding machine

With a grinding length of 600 - 1000 mm and a cross travel of 400 - 600 mm the Okamoto ACC-CA2/CA3 is ideally suited for the toolroom. It features a high level of standard equipment to ensure easy handling, quick and precise small part production. The robust cast iron construction and double-V table slideways (CA2) ensure long term precision. The intuitive operation of the controls simplifies usage and increases productivity considerably.

- CNC surface & profile grinding machine
- e.g. 3 axes simultaneously
- Column feed for cross movement
- Dialogue input system



ADDITIONAL EQUIPMENT

- Hydraulic oil temperature controller
- Wheel flange
- Balancing unit with arbour
- Electromagnetic chuck
- Coolant systems

ACC CA2 / CA3

Technical specifications		64 CA2	84 CA2	104 CA2	106 CA2
Work area	Table path	800 x 440 mm	1000 x 440 mm	1200 x 440 mm	1200 x 652 mm
	Magnetic chuck size	600 x 400 mm	800 x 400 mm	1000 x 400 mm	1000 x 600 mm
	New wheel to table	-2.5 ~ 497.5 mm			
	Table load	1000 kg			1500 kg
Table	Speed	3 ~ 25 m/min			
Cross movement	Int. movement	0.5 ~ 20 mm			
	Cont. movement	0 ~ 2000 mm/min			
	Hand wheel division.	0.001 / 0.01 / 0.05 mm			
Vertical movement	Rapid	1000 mm/min			
	Hand wheel division.	0.0001 / 0.001 / 0.01 mm			
Grinding wheel	Dimensions (D x B x d) mm	ø 405 x 50 x ø 127			
	Speed	500 ~ 2500 ⁻¹			
Motors	Grinding wheel spindle	7.5 kW			
	Hydraulic pump	2.2 kW			
	Vertical movement	0.75 kW			
Installation plan	(L x W x H) mm	3400 x 2900 x 2203	3800 x 2900 x 2203	4400 x 2900 x 2203	4400 x 3350 x 2203
	Weight	4000 ~ 4500 kg			5500 kg

Our locations

- Locations
- ▲ Servicepoints
- Dealer
- Dealer DE

- 1 FHL-Werkzeugmaschinenvertrieb Apolda
- 2 M.Peters Werkzeugmaschinen Waldshut-Tiengen
- 3 J+K Jugard + Künstner München
- 4 Prematech e.K. Obermichelbach
- 5 Bernd Goll Industrivertretungen Knittlingen
- 6 PeHa Werkzeugmaschinen Weissenhorn
- 7 Hermann Wirth Industrietechnik Karben
- 8 Sudler Werkzeugmaschinen Langgöns
- 9 Niemeyer Werkzeugmaschinen Berlin



Okamoto
GRIND - X



Okamoto Machine Tool Europe GmbH
 Raiffeisenstraße 7b · 63225 Langen · Germany
 Tel. +49 (0) 6103 - 201 100 · Fax +49 (0) 6103 - 201 1020
 www.okamoto-europe.de · info@okamoto-europe.de

All data contained herein is based on the technical status of the machines at the time of printing. We reserve the right to change any detail via further development. As a result, dimensions, weights, colours, etc. of the delivered machines may vary.
 Printed in April 2018